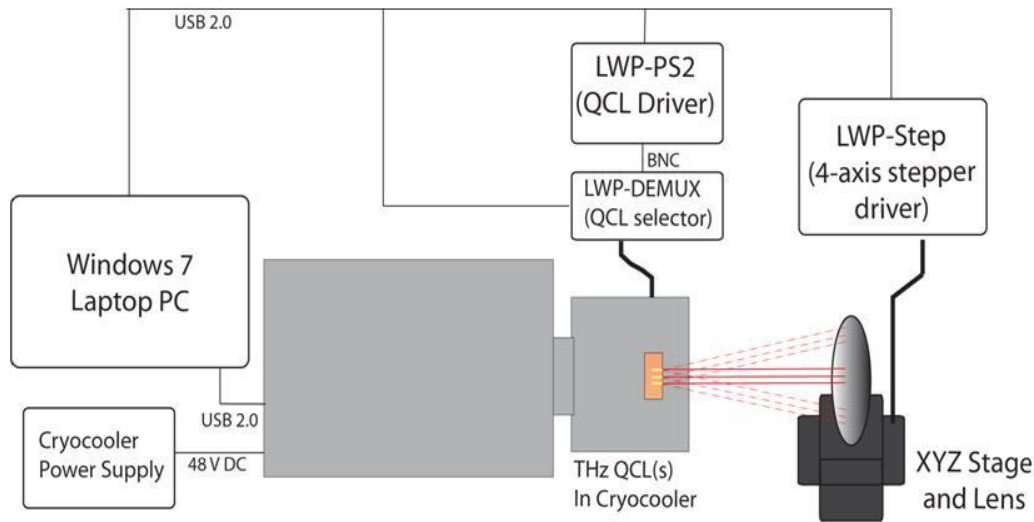


量子カスケードレーザー

~Easy QCL System~

テラヘルツ帯高出力信号源

Application:
THz Spectroscopy
Real-Time THz Imaging
Heterodyne Receiver



Included Components:

- QCL device(s) characterized for wavelength, output power, beam divergence and current versus voltage
- Vacuum chamber with electrical feedthroughs and vacuum gauge
- Liquid /Air cooled, low-vibration Stirling cycle cryocooler
- LWP-PS2 laser driver
- Compact rotary vane vacuum pump
- Laptop PC with software for control of the driver and cryocooler

任意の周波数・出力を選択

周波数範囲 : 1.8 to 5.0 THz

Peak Power : >10mW

Avg Power: >1mW

電源 : 100VAC 対応

ベガテクノロジー
株式会社

Vega

お問い合わせ先 :

〒182-0024

東京都調布市布田4-8-3

TEL 042-499-3075